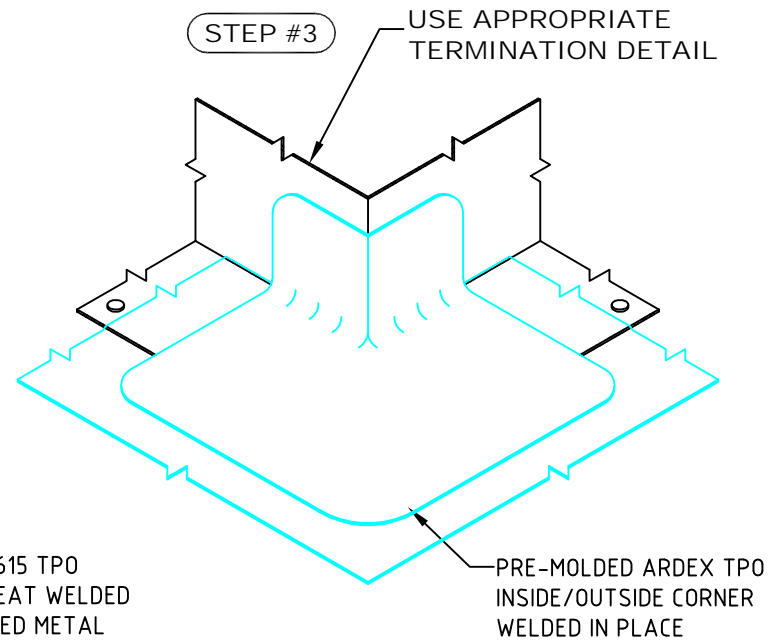
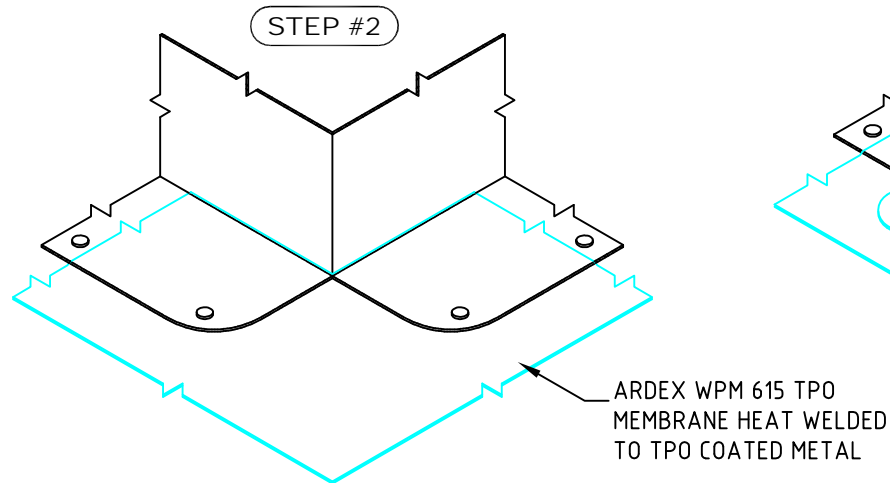
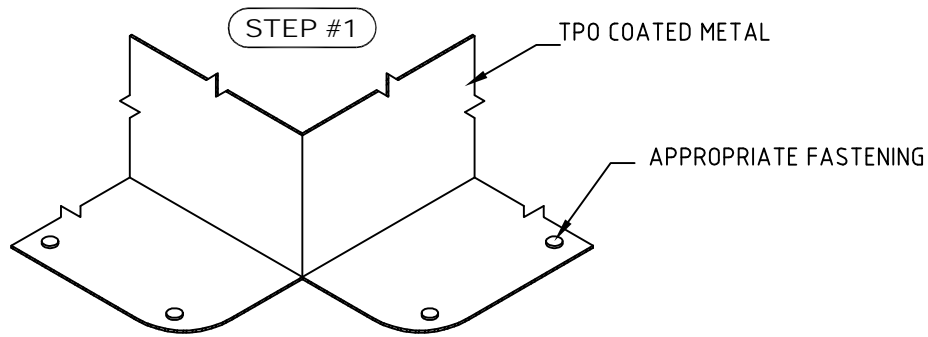


NOTES



The technical details, recommendations & other information contained in this drawing is given in good faith & represents the best of our knowledge and experience at the time of design. It is your responsibility to ensure that our products are used used correctly in accordance with any applicable Australian Standard, our instructions & recommendations are only for the uses they are intended. We also reserve the right to update information without prior notice to reflect our ongoing research and development program. Country specific recommendations, depending on local standards, codes of practice, building regulations and industry guidelines may effect specific installation recommendations.

FILE NAME	WPM615TPOOutsideCornerWithTPOCoatedMetal
DRAWN	10/04/2015 by MZ
CHECKED	
SIZE	A1



ARDEX AUSTRALIA
www.ardexaustralia.com

SCALE	NTS
DRAWING	TPOCWTCM